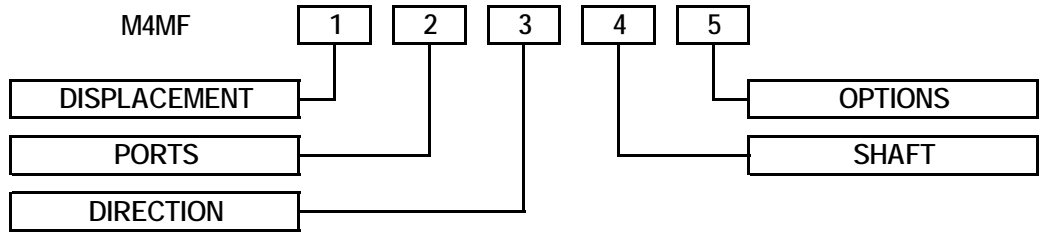
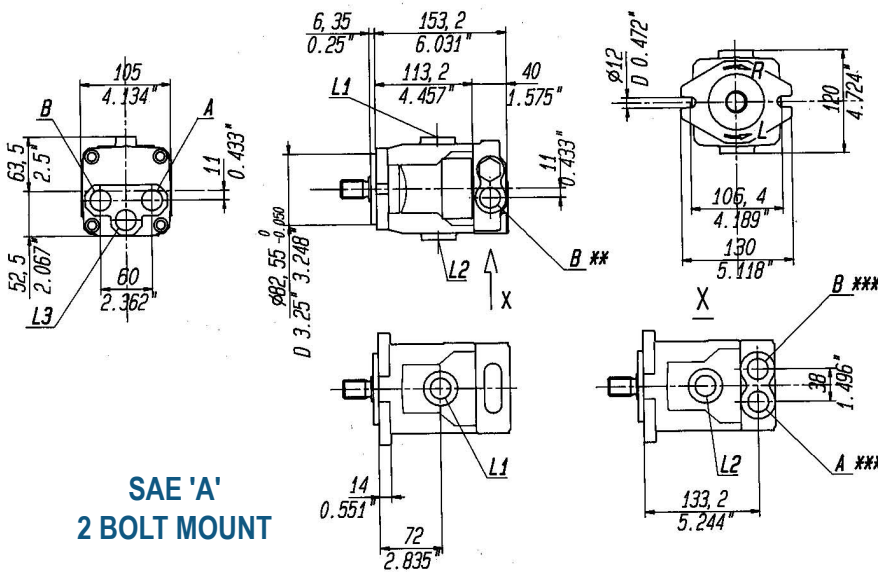


C12: 'M4MF' AXIAL PISTON MOTORS

HOW TO ORDER



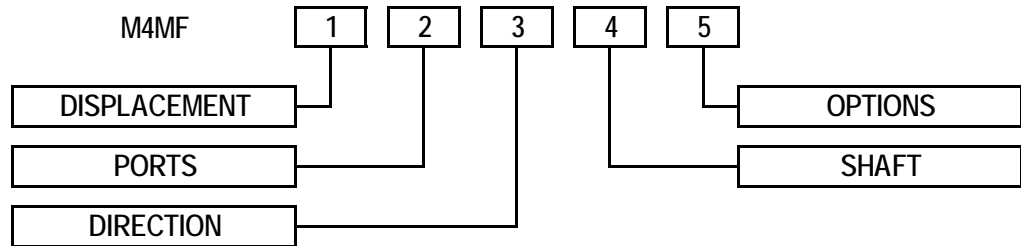
1	DISPLACEMENT	CODE	4	SHAFT	CODE
	cc/REV			7/8" Keyed	1
	21	21		1.0" Keyed	2
	28	28		7/8" 13 Tooth Splined	6
				1" 15 Tooth Splined	3
2	PORTS	CODE	5	OPTIONS	CODE
	Side & Rear Ports (Standard)			Purge Valve	V
	A & B on Rear	1			
	A & B on Opposite Sides	2			
	A & B on Side	3			
3	DIRECTION	CODE			
	Bi-Directional	B			



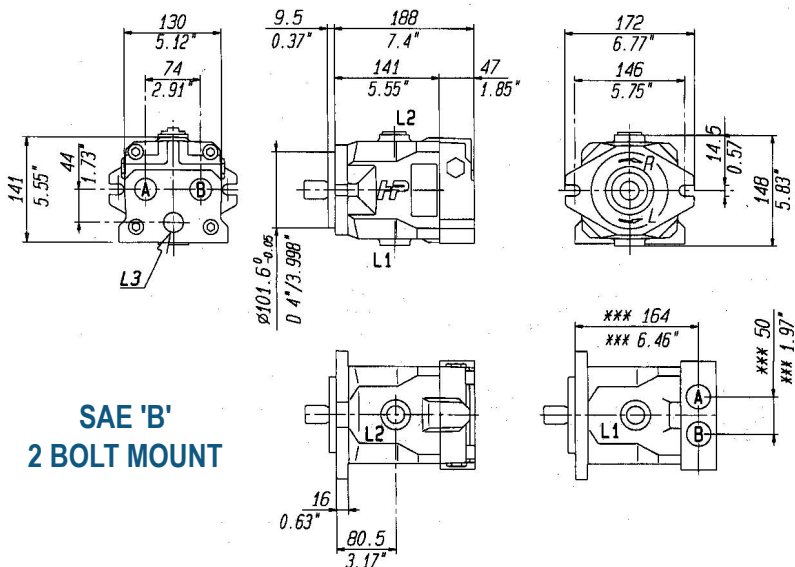
DISPLACEMENT	21	28
Max Speed Cont.	3600 rpm	
Max Speed Peak	4000 rpm	
Max Pressure Cont.	250 Bar	
Max Pressure Peak	350 Bar	
Max Case Pressure	1.5 Bar	
Weight	18Kg	
A & B PORT	1/2" BSPP	
L1 & L2 (DRAIN)	3/4" BSPP	

C13: 'M4MF' AXIAL PISTON MOTORS

HOW TO ORDER



1	DISPLACEMENT	CODE	4	SHAFT	CODE
	cc/REV				
	34	34		7/8" Keyed	1
	46	46		1.0" Keyed	2
	50	50		1.0" 15 tooth Splined	3
	58	58		30mm Keyed	4
	65	65		7/8" 13 tooth Splined	6
2	PORTS	CODE	5	OPTIONS	CODE
	Side & Rear Ports (Standard)				
	A & B on Rear	1		Purge Valve	V
	A & B on Opposite Sides	2			
	A & B on Side	3			
3	DIRECTION	CODE			
	Bi-Directional	B			



SAE 'B'
2 BOLT MOUNT

DISPLACEMENT	34	46	50	58	65
Max Speed Cont.	3600 rpm				
Max Speed Peak	3800 rpm				
Max Pressure Cont.	250 Bar				
Max Pressure Peak	400 Bar				
Max Case Pressure	1.5 Bar				
Weight	20Kg				
A & B PORT	3/4" BSPP				
L1 & L2 (DRAIN)	3/4" BSPP				